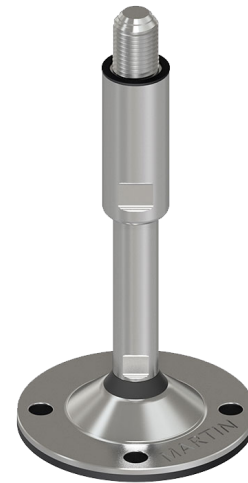
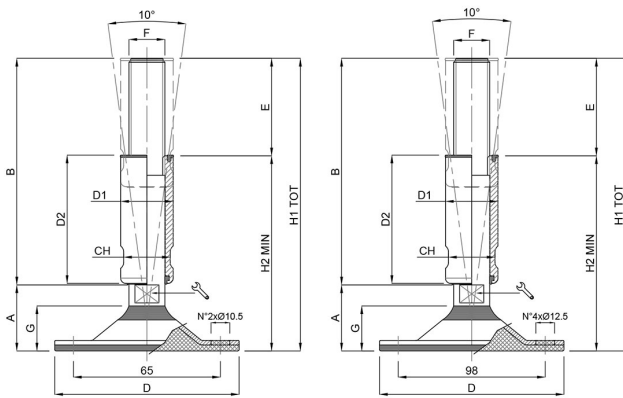


**Technoclean | Pressed Vulcanized Base 2/4 bores - Articulated 8° | Ø 85/123**



CODE	SIZE (F)	STEM LENGTH (B)	BASE SIZE (D)	TOTAL HEIGHT	REGULATION (SW)	WEIGHT gr	LOAD (Newton)
Not found							

- Material: Stainless steel base 1.4301. Possibility to drill the rubber to obtain fixing holes. Pad: vulcanized rubber NBR 80 shore. Stainless steel screw and bush 1.4301
- Load values above mentioned have to be considered referring to static conditions calculated at the half of the screw length. In conditions of vibrations or in presence of dynamic loads these values should be reduced. For further information consult our technical office. We cannot accept responsibility for mounts that have been tampered or modified