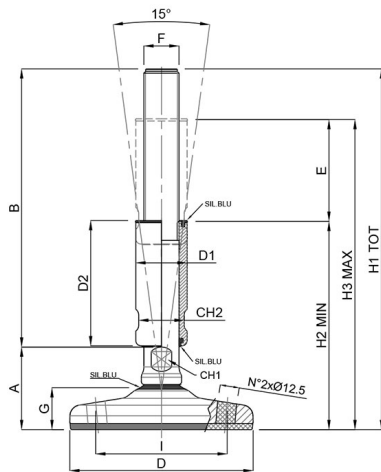


Tekno-Hygienic | Solid Vulcanized Bolt/Down Base | Ø 100/120



CODE	SIZE (F)	FLOOR DISTANCE (A)	STEM LENGTH (B)	BASE SIZE (D)	BUSHING Ø (D1)	TOTAL HEIGHT	MIN HEIGHT (H2)	MAX HEIGHT (H3)	HOLES DISTANCE (I)	REGULATIO N (SW)	WEIGHT gr	LOAD (Newton)
27361F/3A	M16x2	53	140,00	100	24x60	193,00	114	159	70	13/20	1035	40000
27363F/3A	M16x2	53	190,00	100	24x85	243,00	139	209	70	13/20	1149	40000
27365F/3A	M20x2,5	53	140,00	100	30x60	193,00	114	159	70	17/26	1227	45000
27367F/3A	M20x2,5	53	190,00	100	30x85	243,00	139	209	70	17/26	1404	45000
27369F/3A	M24x3	53	140,00	100	35x60	193,00	114	159	70	20/30	1430	55000
27371F/3A	M24x3	53	190,00	100	35x85	243,00	139	209	70	20/30	1685	55000
27373F/3A	M30x3,5	53	135,00	100	42x60	188,00	114	154	70	26/36	1775	60000
27375F/3A	M30x3,5	53	185,00	100	42x85	238,00	139	204	70	26/36	2148	60000
27381F/3A	M16x2	55	140,00	120	24x60	195,00	116	161	86	13/20	1571	40000
27383F/3A	M16x2	55	190,00	120	24x85	245,00	141	211	86	13/20	1700	40000
27385F/3A	M20x2,5	55	140,00	120	30x60	195,00	116	161	86	17/26	1768	45000
27387F/3A	M20x2,5	55	190,00	120	30x85	245,00	141	211	86	17/26	1949	45000
27389F/3A	M24x3	55	140,00	120	35x60	195,00	116	161	86	20/30	1973	60000
27391F/3A	M24x3	55	190,00	120	35x85	245,00	141	211	86	20/30	2228	60000
27393F/3A	M30x3,5	55	135,00	120	42x60	190,00	116	156	86	26/36	2321	80000
27395F/3A	M30x3,5	55	185,00	120	42x85	240,00	141	206	86	26/36	2690	80000
27397F/3A	M30x3,5	55	235,00	120	42x85	290,00	191	256	86	26/36	2965	80000
27399F/3A	M36x4	55	135,00	120	50x60	190,00	116	156	86	32/45	2779	80000
27401F/3A	M36x4	55	185,00	120	50x85	240,00	141	206	86	32/45	3324	80000
27403F/3A	M36x4	55	235,00	120	50x85	290,00	191	256	86	32/45	3726	80000

- Levelling system designed for the dairy, pharmaceutical and food industry, in compliance with the strictest hygienic standards, made in accordance with 3-A regulations.