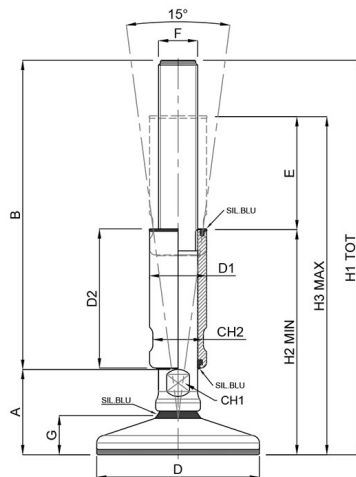


Tekno-Hygienic | Solid Vulcanized Base | Ø 60/80/100



CODE	SIZE (F)	FLOOR DISTANCE (A)	STEM LENGTH (B)	BASE SIZE (D)	BUSHING Ø (D1)	TOTAL HEIGHT (D2)	MIN HEIGHT (H2)	MAX HEIGHT (H3)	REGULATION (SW)	WEIGHT (gr)	LOAD (Newton)
27321/3A	M12x1,75	48	140,00	60	24x60	188,00	109	154	13/20	560	25000
27323/3A	M12x1,75	48	190,00	60	24x85	238,00	134	204	13/20	662	25000
27325/3A	M16x2	48	140,00	60	24x60	188,00	109	154	13/20	587	40000
27327/3A	M16x2	48	190,00	60	24x85	238,00	134	204	13/20	708	40000
27329/3A	M20x2,5	48	140,00	60	30x60	188,00	109	154	17/26	782	45000
27331/3A	M20x2,5	48	190,00	60	30x85	238,00	134	204	17/26	960	45000
27341/3A	M16x2	50	140,00	80	24x60	190,00	111	156	13/20	830	40000
27343/3A	M16x2	50	190,00	80	24x85	240,00	136	206	13/20	945	40000
27345/3A	M20x2,5	50	140,00	80	30x60	190,00	111	156	17/26	1021	45000
27347/3A	M20x2,5	50	142,00	80	30x70	192,00	120	175	17/26	1055	45000
27349/3A	M20x2,5	50	190,00	80	30x85	240,00	136	206	17/26	1202	45000
27351/3A	M24x3	50	140,00	80	35x60	190,00	111	156	20/30	1217	50000
27353/3A	M24x3	50	190,00	80	35x85	240,00	136	206	20/30	1475	50000
27361/3A	M16x2	53	140,00	100	24x60	193,00	114	159	13/20	1150	40000
27363/3A	M16x2	53	190,00	100	24x85	243,00	139	209	13/20	1265	40000
27365/3A	M20x2,5	53	140,00	100	30x60	193,00	114	159	17/26	1341	45000
27367/3A	M20x2,5	53	190,00	100	30x85	243,00	139	209	17/26	1521	45000
27369/3A	M24x3	53	140,00	100	35x60	193,00	114	159	20/30	1546	50000
27371/3A	M24x3	53	190,00	100	35x85	243,00	139	209	20/30	1795	50000
27373/3A	M30x3,5	53	135,00	100	42x60	188,00	114	154	26/36	1884	60000
27375/3A	M30x3,5	53	185,00	100	42x85	238,00	139	204	26/36	2254	60000

• Levelling system designed for the dairy, pharmaceutical and food industry, in compliance with the strictest hygienic standards, made in accordance with 3-A regulations.