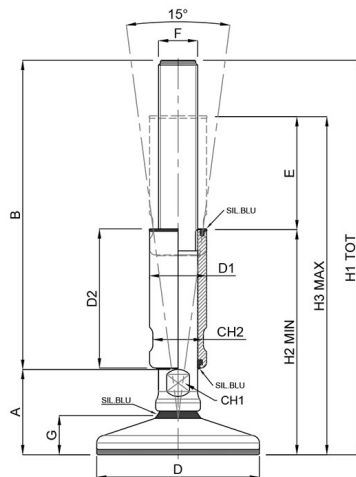


Tekno-Hygienic | Solid Vulcanized Base | Ø 120/150



CODE	SIZE (F)	FLOOR DISTANCE (A)	STEM LENGTH (B)	BASE SIZE (D)	BUSHING Ø (D1)	TOTAL HEIGHT	MIN HEIGHT (H2)	MAX HEIGHT (H3)	REGULATION (SW)	WEIGHT (gr)	LOAD (Newton)
27381/3A	M16x2	55	140,00	120	24x60	195,00	116	161	13/20	1711	40000
27383/3A	M16x2	55	190,00	120	24x85	245,00	141	211	13/20	1829	40000
27385/3A	M20x2,5	55	140,00	120	30x60	195,00	116	161	17/26	1904	45000
27387/3A	M20x2,5	55	190,00	120	30x85	245,00	141	211	17/26	2087	45000
27389/3A	M24x3	55	140,00	120	35x60	195,00	116	161	20/30	2100	60000
27391/3A	M24x3	55	190,00	120	35x85	245,00	141	211	20/30	2359	60000
27393/3A	M30x3,5	55	135,00	120	42x60	190,00	116	156	26/36	2454	80000
27395/3A	M30x3,5	55	185,00	120	42x85	240,00	141	206	26/36	2823	80000
27397/3A	M30x3,5	55	235,00	120	42x85	290,00	191	256	26/36	3100	80000
27399/3A	M36x4	55	135,00	120	50x60	190,00	116	156	32/45	2913	80000
27401/3A	M36x4	55	185,00	120	50x85	240,00	141	206	32/45	3460	80000
27403/3A	M36x4	55	235,00	120	50x85	290,00	191	256	32/45	3859	80000
27411/3A	M20x2,5	59	140,00	150	30x60	199,00	120	165	17/26	2942	45000
27413/3A	M20x2,5	59	190,00	150	30x85	249,00	145	215	17/26	3125	45000
27415/3A	M24x3	59	140,00	150	35x60	199,00	120	165	20/30	3146	60000
27417/3A	M24x3	59	190,00	150	35x85	249,00	145	215	20/30	3400	60000
27419/3A	M30x3,5	59	135,00	150	42x60	194,00	120	160	26/36	3497	80000
27421/3A	M30x3,5	59	185,00	150	42x85	244,00	145	210	26/36	3870	80000
27423/3A	M30x3,5	59	235,00	150	42x85	294,00	195	260	26/36	4145	80000
27425/3A	M36x4	59	135,00	150	50x60	194,00	120	160	32/45	3956	80000
27427/3A	M36x4	59	185,00	150	50x85	244,00	145	210	32/45	4506	80000
27429/3A	M36x4	59	235,00	150	50x85	294,00	195	260	32/45	4902	80000

• Levelling system designed for the dairy, pharmaceutical and food industry, in compliance with the strictest hygienic standards, made in accordance with 3-A regulations.