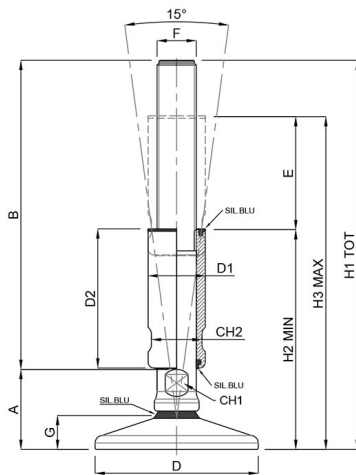


Tekno-Hygienic | Solid Base | Ø 120/150



CODE	SIZE (F)	FLOOR DISTANCE (A)	STEM LENGTH (B)	BASE SIZE (D)	BUSHING Ø (D1)	TOTAL HEIGHT	MIN HEIGHT (H2)	MAX HEIGHT (H3)	REGULATION (SW)	WEIGHT (gr)	LOAD (Newton)
27380/3A	M16x2	51	140,00	120	24x60	191,00	112	157	13/20	1679	40000
27382/3A	M16x2	51	190,00	120	24x85	241,00	137	207	13/20	1796	40000
27384/3A	M20x2,5	51	140,00	120	30x60	191,00	112	157	17/26	1869	45000
27386/3A	M20x2,5	51	190,00	120	30x85	241,00	137	207	17/26	2048	45000
27388/3A	M24x3	51	140,00	120	35x60	191,00	112	157	20/30	2068	60000
27390/3A	M24x3	51	190,00	120	35x85	241,00	137	207	20/30	2317	60000
27392/3A	M30x3,5	51	135,00	120	42x60	186,00	112	152	26/36	2410	80000
27394/3A	M30x3,5	51	185,00	120	42x85	236,00	137	202	26/36	2783	80000
27396/3A	M30x3,5	51	235,00	120	42x85	286,00	187	252	26/36	3059	80000
27398/3A	M36x4	51	135,00	120	50x60	186,00	112	152	32/45	2883	80000
27400/3A	M36x4	51	185,00	120	50x85	236,00	137	202	32/45	3427	80000
27402/3A	M36x4	51	235,00	120	50x85	286,00	187	252	32/45	3828	80000
27410/3A	M20x2,5	54	140,00	150	30x60	194,00	115	160	17/26	2740	45000
27412/3A	M20x2,5	54	190,00	150	30x85	244,00	140	210	17/26	2922	45000
27414/3A	M24x3	54	140,00	150	35x60	194,00	115	160	20/30	2950	60000
27416/3A	M24x3	54	190,00	150	35x85	244,00	140	210	20/30	3194	60000
27418/3A	M30x3,5	54	135,00	150	42x60	189,00	115	155	26/36	3288	80000
27420/3A	M30x3,5	54	185,00	150	42x85	239,00	140	205	26/36	3661	80000
27422/3A	M30x3,5	54	235,00	150	42x85	289,00	190	255	26/36	3940	80000
27424/3A	M36x4	54	135,00	150	50x60	189,00	115	155	32/45	3956	80000
27426/3A	M36x4	54	185,00	150	50x85	239,00	140	205	32/45	4305	80000
27428/3A	M36x4	54	235,00	150	50x85	289,00	190	255	32/45	4707	80000

• Levelling system designed for the dairy, pharmaceutical and food industry, in compliance with the strictest hygienic standards, made in accordance with 3-A regulations.